

920 *Drive Through*

Automotive Equipment

New light targets,
detachable from brackets

Wide choice of brackets

Compact installation distance
(useful for small workshops)

Quick and easy installation

Floor-mounted, in pit
or **fixed-height lift**

High-resolution cameras
with **measurement by image**
difference

 **Wheel**
Alignment



**Accurate, reliable, quick, easy,
comprehensive and affordable**



Wheel alignment and pre-check DRIVE-THRU
for cars and light duty vehicles

The new **Teco 920 Drive-Through** is a quick and reliable 3D wheel aligner with two camera reading system.



ENTRY LEVEL PRICE

Entry-level price with top of the range specifications. A small investment for a great yield.

Electronic wheel aligner with programs developed in **Multilanguage Windows 10 IoT** environment and measurement technology with **2 high-resolution digital cameras**. Used by professionals for the detection and calculation of all wheel alignment angles of cars and vans, the **TECO 920 Drive-Through** wheel aligner is equipped with:

- 4 visual shockproof Targets
- 4 locking clamps with capacity from 11" to 26"
- PC trolley
- keyboard and printer
- primary database including over 84,000 vehicles
- software for professional wheel alignment.

The product is supplied as standard in the «Full-Pack» version complete with Intel PC.

LIGHT-DUTY AND HIGH-RESOLUTION TARGET

It can be detached from the bracket and is compatible with all Teco brackets. Front infra-red filter for a high immunity to sunlight reflections.





Superior quality camera.

MEASURING TECHNOLOGY

Measuring technology of characteristic angles by means of 2 high-resolution digital cameras. Visual targets conceived without any electronic component which do not require any calibration activity.

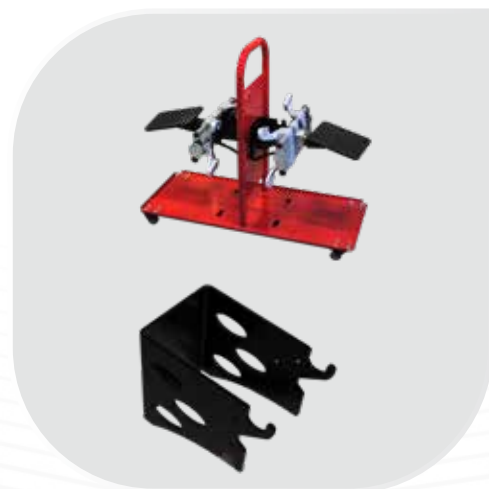


MEASUREMENT BY IMAGE DIFFERENCE

Each acquisition is differentially processed by two consecutive images to eliminate measurement problems in critical sunlight conditions or in the presence of light reflections.

CLAMP-HOLDER DEVICES (OPTIONAL)

2 different clamp-holder accessories are available on demand: **4 support brackets (K4WS)** for on-wall installation or **2 movable trolleys (CAR)** for easy support of clamp assembly and comfortable shifting inside the working area of these delicate items.



SOFTWARE

PC & OPERATING SYSTEM

- CPU INTEL I3, I5, I7
- HDD or SSD 32 Gb
- RAM 4 Gb
- WIN 10 IoT 64 bit Multilanguage
- Min 6 USB ports
- Printer: Ask manufacturer for homologated printer listing



ALIGNMENT SOFTWARE

Complete professional alignment programme featuring a clear and intuitive user interface to avoid misleading the operator during the various work phases. Language, display and function keys can be customised.



DATABASE

A main database including over 84,000 vehicles divided by geographic area is available for easy reference, as well as a secondary database that can be managed and customised directly by the operator.



«RUN-OUT» COMPENSATION PROGRAMME

ROC push programme to compensate for possible wheel "Run-Out" errors and possible imperfect bracket-rim match-mounting. Compensation values are calculated simultaneously on the 4 wheels favouring 30° rotation only.



WHEEL ALIGNER COMPATIBLE WITH PROADAS

The wheel aligner is compatible with the new PROADAS universal system used for the **calibration of driver assistance systems** on new-generation vehicles.

Using the wheel aligner cameras, the system for calibrating the camera and radar on board the vehicle **can be aligned precisely and quickly**.

Manufacturers recommend calibrating ADAS systems after aligning the vehicle. For further information, visit the PROADAS product sections on our website.



STANDARD ACCESSORIES



**STEERING LOCK,
BRAKE PEDAL LOCK AND SUPPORT**



*** PERSONAL COMPUTER**
for Full Pack versions only

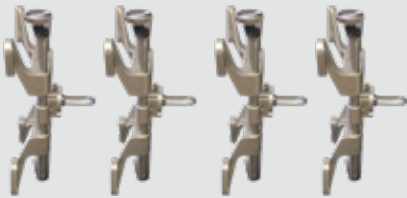


MEASURING TARGET

RECOMMENDED ACCESSORIES



TROLLEY FOR BRACKETS AND TARGETS



SELF-CENTRING 10-21" BRACKETS



26" EXTENDER KIT FOR BRACKETS



TURNTABLES



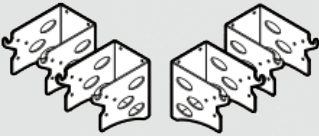
LOW COLUMN KIT (1000mm)

for pit installation or
for a pre-check during vehicle reception step



HIGH COLUMN KIT (2600mm)

for installation with lift
with measuring function and fixed height adjustment



WALL BRACKET KIT



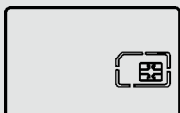
PRINTER CABINET EQUIPPED WITH WHEELS AND A DOOR



A4 INKJET PRINTER



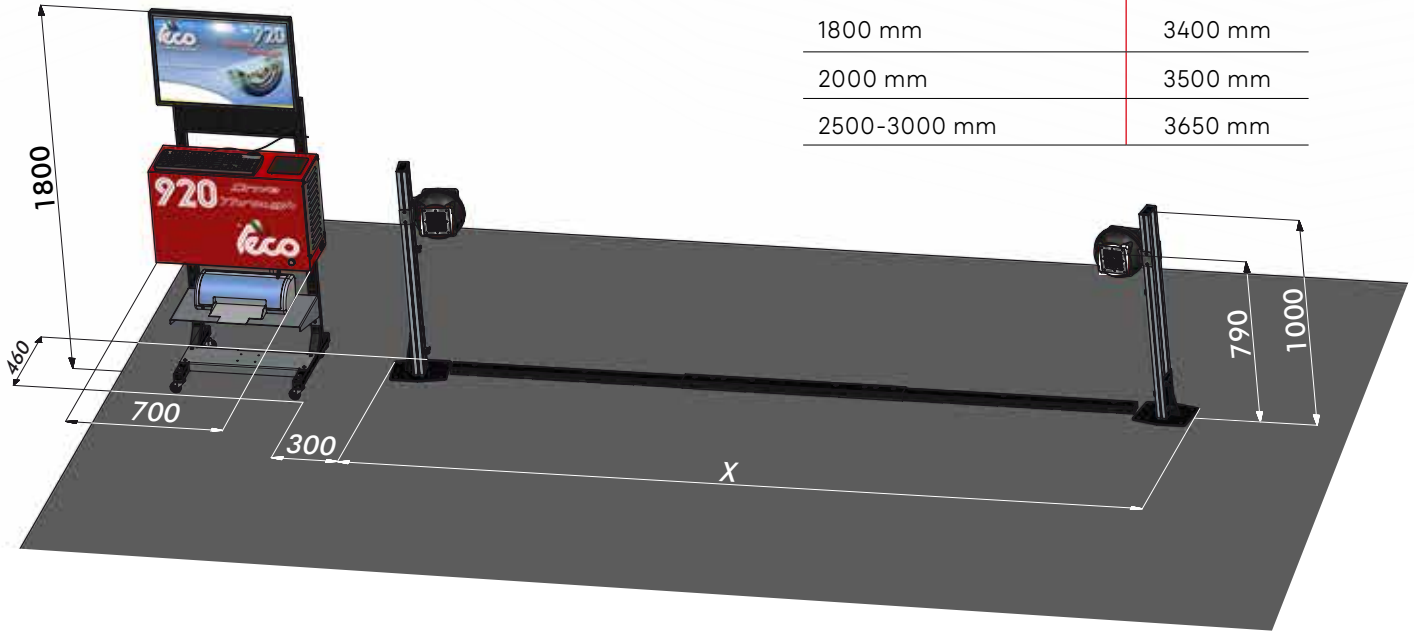
CARRYING CASE WITH KIT FOR CALIBRATION AND CALIBRATION CHECK



USA DB - USA DATABASE SPECIFICATION (activation to be renewed every year)

Wheel
Alignment

INSTALLATION AREA



Distance between camera and turntable	Distance X
1800 mm	3400 mm
2000 mm	3500 mm
2500-3000 mm	3650 mm

TECHNICAL DATA

MEASURING INTERVALS

Total toe	± 20°
Semi-toe	± 10°
Camber	± 10°
Caster	± 30°
Kingpin	± 30°
Set back	± 22°
Thrust angle	± 10°
Steering angle difference	± 20°

POWER SUPPLY

Power supply voltage	115/230 Vac - 50/60 Hz - 1 Ph
Power consumption	500 W

The manufacturer reserves the right to modify the features of its products at any time.

Cod. DPTC000401_11_2022